

DESCRIPTION

The GAME URBACO CITY 2N is an economical and aesthetic solution for management controller that offers an integrated user interface. This street furniture includes the components of the automation such as swipe card readers, keypads, front and side traffic lights and/or control panel.

Its ergonomic rectangular shape optimizes the available interior space for the integration of the boards. This solution has been designed to meet the requirements of the G6N and G30 built-in hydraulic bollards. It can be centralized* and manages up to 6 built-in hydraulic bollards simultaneously. One of its major assets is its material, made of 2mm steel, which gives it great durability.

Equipped with a fully customizable front area (or front panel), it can accommodate the status lights of the bollard as well as the control devices accessible to right holders (RFID badge reader, intercom, Bluetooth reader, etc.)

Its modular design also allows additional side lights to be added in both traffic flow directions.

* depending on configuration



CHARACTERISTICS

Dimensions: Rect. L.260x w.214 mm

Height: H 1551 mm

Material: Galvanised steel

Thickness: 2 mm

Finishing: Powder coating process RAL 7016

Technical openings: Hinged door with 3 locks. Opening at 90°- "Fire brigade" hatch bolt cutter

Ventilation: Fan 41m3/h

Protection index: IP54

Weight: around 15 kg (empty)

SCREEN-PRINTED FRONT PANEL

The height of the front panel meets the decree requirements regarding the accessibility for persons with disabilities and reduced mobility.

Useful dimensions: 639 x 154 mm

Material: polycarbonate

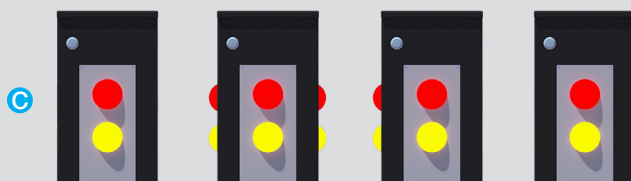
Thickness: 10 mm with aluminium counter face

Resistance: IK10

EXEMPLE DE CONFIGURATION D'UNE INTERFACE UTILISATEUR

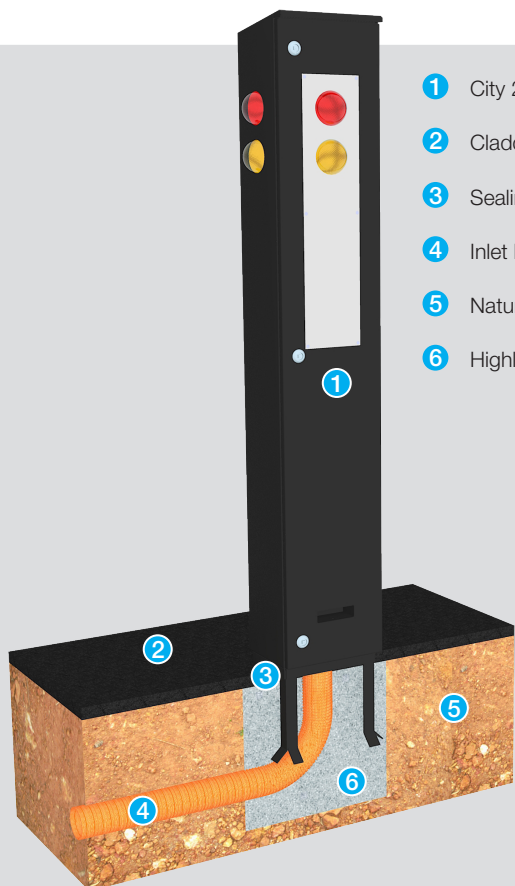
- A** Low consumption LED lights (Ø65 /Ø100 mm - 1 red light /1 orange light) **
- B** Bluetooth reader **
- C** Two-coloured front and side lights (possible on right and left sides)**

** In option





- A** Top cover, thickness 2 mm
- B** Porte technique
- C** Bolt cutter location for fire brigade access (in option)



- 1** City 2 N
- 2** Cladding
- 3** Sealing base
- 4** Inlet hose
- 5** Natural ground
- 6** Highly dosed concrete 350 to 400 kg/m³

