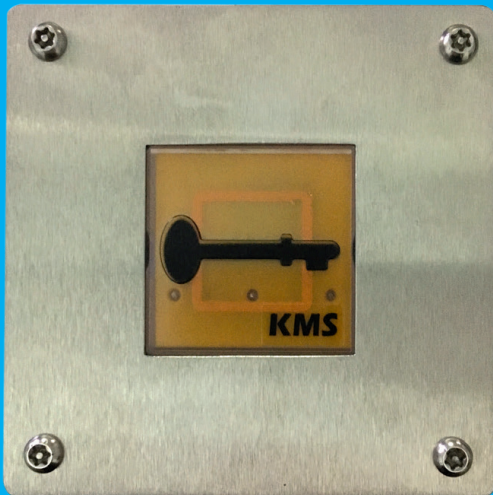


HS READER

HIGH SECURITY RESIDENTIAL ACCESS CONTROL



The KMS SimpleKey HS reader provides all the benefits of KMS residential access control, together with additional security via our bespoke HS technology.

- **High security** developed using unique Mifare based protocol, providing a significantly greater level of security.
- **40mm aperture** the industry standard, enables the reader to fit into most new and existing door entry panels.
- **Compatibility** with the KMS Shark Tooth HS fobs, allowing it to be used with both the KMS SimpleKey 3 and SimpleKey 4 systems and also operates with other manufactures access control systems.
- **Status indication** uses a combination of three separate LEDs (Red/Green/Yellow) to show various engineering functions, as well as whether access is allowed or denied.
- **Robust** British designed and built reader for UK housing providers and comes with a life time guarantee.

INSTALLATION

The **Panel Mount** readers is designed to be mounted within metal panels, no thicker than 2mm with a 40mm square cut-out for the front of the reader to protrude through.

Dimensions: 55mm x 55mm square x 11mm deep.

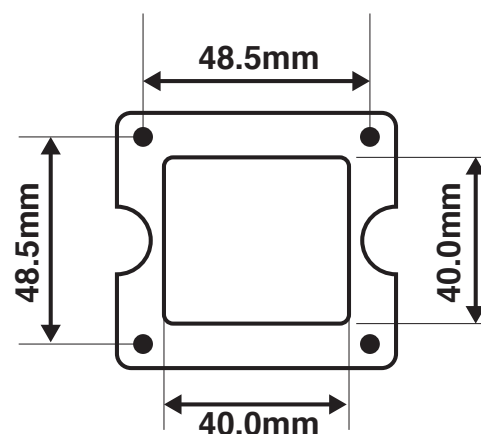
The **Surface Mount** reader is designed to be fixed directly onto wall or pedestal.

Dimensions: 100mm x 100mm square x 40mm deep.

Cabling - 6 or 8 core alarm multi strand cable or CW1308 (copper core).

The maximum cable run between the system door controller and the reader is 50 meters.

DIMENSIONS



CAME KMS

1 Marlborough Trading Estate, West Wycombe Road, High Wycombe, Buckinghamshire HP11 2LB
Tel: 01494 531099 Email: ckuk.info@came.com