

# DOME CAMERA (HDCVI)

High Resolution Vandal Resistant Dome Camera With Varifocal Lens and Switchable Outputs



## Overview

- 2 Mega-pixel, 1/2.7" CMOS image sensor.
- SD/HD Switchable Output
- Motorised varifocal lens, 2.7 mm–13.5 mm.
- Excellent low light performance.
- Smart IR LED, distance up to 30 M.
- Outputs Max. 1080P at 30 fps.
- DC12V.
- IP67, IK10 protection.

## VARIFOCAAL LENS

This camera features a motorised varifocal lens, making it suitable for a wide range of applications and installations. With a wide range field-of-view, the camera can be zoomed in / out to ensure the target area can be adjusted for the best view.

## SWITCHABLE OUTPUT

The BNC interface defaults to a standard definition stream, suitable for door entry applications, for example, Apex or Elite systems. The output can also be switched to HDCVI, providing a high-definition stream suitable to be connected to a compatible DVR.

## LONG DISTANCE TRANSMISSION

HDCVI technology guarantees real-time transmission at long distance without loss. It supports up to 800m @1080P and 1200m @720P transmission via coaxial cable, and up to 300m @1080P and 450m @720P via UTP cable.

## Functions

### SMART IR

IR LED array provides excellent lowlight performance. Smart IR technology to ensures brightness uniformity in B/W image under low illumination. Smart IR adjusts the LED intensity to compensate for the distance of an object, and prevents overexposure as the object come closer.

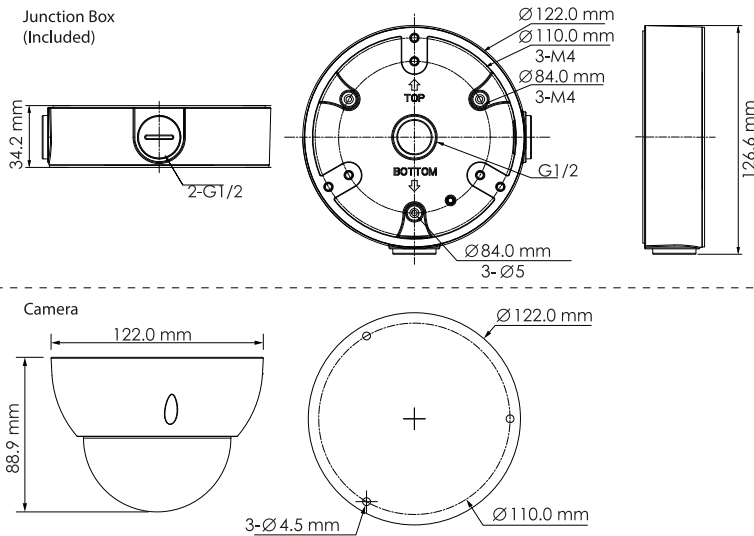
### DWDR

Digital Wide Dynamic Range technology provides clear details in the environments with of strong brightness contrast. For example in environments with strong back-light, the camera provides clear detail on darker areas.

### PROTECTION

IP67: 'Dust Tight' with no ingress of particles and complete protection against contact. 'All Weather' with protection from powerful water jets and total submersion (up to 1M, 30 mins).

IK10: with robust metal enclosure and vandal resistant design, this product achieves the highest classification of impact resistance.



## Technical characteristics

Camera Specification					Video Specification		
Image Sensor	1/2.7", 2MP, CMOS, Progressive Scan				Standards	HDCVI, CVBS, PAL	
Effective Pixels	1920 (H) × 1080 (V)				Resolutions	2MP - 1080p, 1.3MP - 720p, PAL - 575i	
Lens Type	Motorised Varifocal				WDR	DWDR	
Focal Length	2.7mm - 13.5mm				Gain Control	Auto / Manual	
Max Aperture	F1.8				Video Frame Rate	HDCVI: 1920 x 1080 @ 25/30 fps, 1280 x 720 @ 25/30/50/60 fps, CVBS: 576 TVL	
Field of View	Horizontal: 105.9°~33.4°				Day/Night	Auto (ICR) / Manual	
Iris Type	Fixed aperture						
IR Distance	30 M				<b>Connectivity</b>		
Min. Illumination	0.02Lux/F1.8				Interface	1x BNC	
DORI Distance	Lens	Detect	Observe	Recognise	Identify	Power	DC12V, 6.3W
	W	45 M	18 M	9 M	5 M		
	T	132 M	53 M	26 M	13 M		