

## When someone calls

Lift the handset to answer an incoming call. The video monitor will display for the length of the call.

## While on a call

To let the caller gain access, press **Unlock**.

Replace the handset to complete the call.

## Silence a call

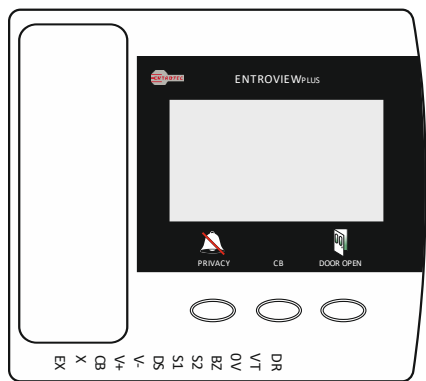
Press the **Privacy** button or **Adjust** the ringer volume with the slider.

## Keep it quiet

If you do not wish to be disturbed, press **Privacy**. The button will illuminate and the ringer is silenced. Press the button again to turn the ringer back on.

## CB button

Concierge Button / Call Back / Camera Switch Button if applicable.



## Cable Specification

Cat 5e / Cat 6 / CW1308 6 Pair Minimum.

This does not allow for redundant cables. If this is a requirement then the installer must allow for this during installation.

6 Pair CW1308 recommended for Concierge systems. 10 Pair CW1308 recommended for cable runs exceeding 70 metres.

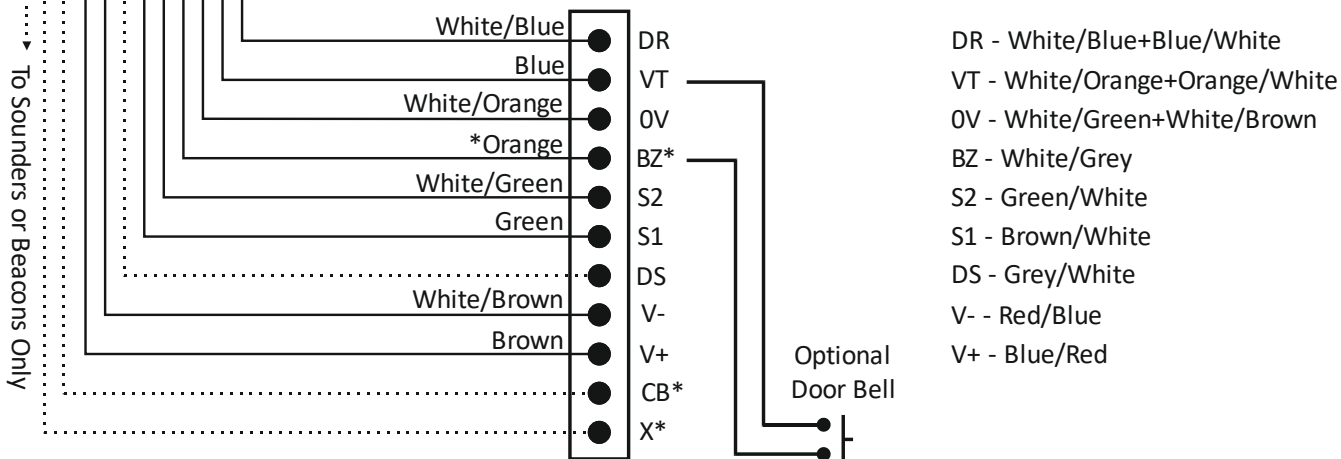
Any unused cores to be tied to system 0v.

## Suggested Colour Code

Cat 5 / Cat 6

## Suggested Colour Code

6 Pair CW1308



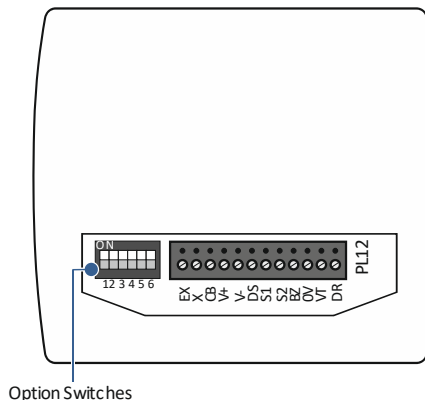
**\* NOTE:** If DS, CB or X is required the internal ringer can be enabled and the BZ connection is not required, freeing up the Orange wire.

## Video Setup

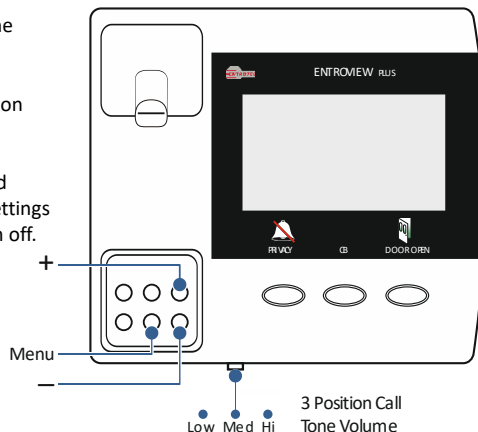
Press the Menu button to turn the screen on.

Press Menu to cycle through the on screen display options.

Press + or - to adjust the selected parameter. Once adjusted the settings will store and the screen will turn off.



Option Switches



## Option Switches

Switches 1, 2 & 3 select the privacy function options. Privacy can be: disabled completely, set to latch on/off or set to time out after a preset time (see table: 0 = OFF 1 = ON).

Switch 4 is for 1 way systems and should be ON for normal use.

Switch 5 is not used.

Switch 6 selects video termination and should be ON for normal use.

1	2	3	Time
0	0	0	On / Off
0	0	1	Disabled
0	1	0	5 mins
0	1	1	30 mins
1	0	0	1 hr
1	0	1	4 hrs
1	1	0	8 hrs
1	1	1	12 hrs

## Ringtones

To adjust the ringtone press and hold **Privacy** to start the ringer. Press **Privacy** to select the ringtone options and press **Door Open** to store.